

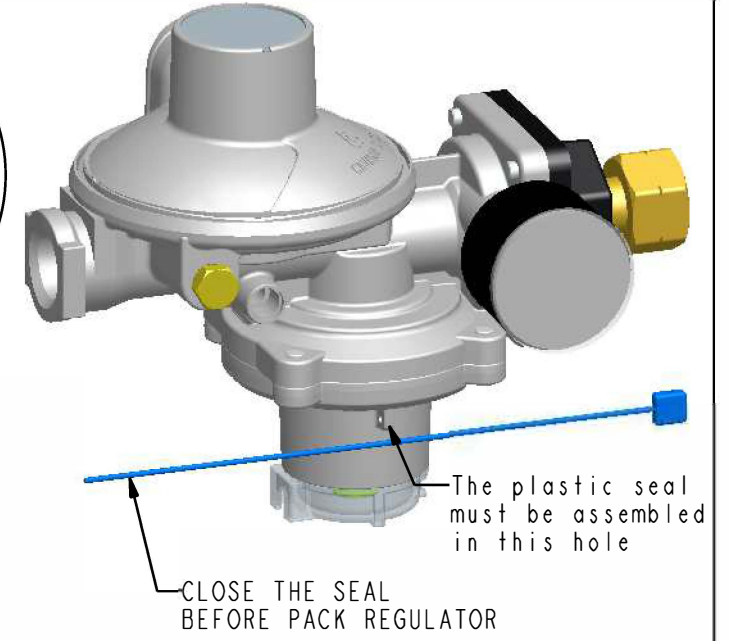
NAMEPLATE

SINGLE BOX LABEL

**FIRST AND SECOND STAGE
REGULATOR WITH OPSO
TYPE 782 - PROPANE
37 mbar - 10 kg/h**

**INLET: W20x1/14" L.H. female
OUTLET: Rp 1/2" female**

**Leggere attentamente l'istruzione
prima dell'installazione**



NO	NO PRODUCT	DENOMINATION	Q.TY
1	78-1-950-0038	S/A FIRST AND SECOND STAGE REGULATOR WITH OPSO	1
2	24-1-110-0001	WHITE ALUMINIUM RAL 9006	1
3	20-1-950-0132	S/A FIRST STAGE - TWIN REGULATOR (Rp1/4)	1
4	14-1-110-0049	SCREWS M5 - L=16mm	4
5	04-1-110-0123	O-RING Ø32.99 X 2.62	1
6	04-1-110-0113	O-RING Ø56.82 X 2.62	1
7	40-1-950-0028	S/A SHUT-OFF VALVE (80-100 mbar)	1
8	14-1-110-0079	SCREWS M5 - L=14mm	4
9	16-1-110-0126	RACCORDO	1
10	10-1-110-0005	UNION NUT - W 20 X 1/14" GI-EN 12864	1
11	04-1-110-0007	SEALING WASHER	1
12	16-1-110-1006	FILTER-STANDARD Ø8.5 x 1.5TK	1
13	50-1-110-0026	MANOMETRO ASSIALE 0-4 bar	1
14	19-1-110-0502	PLUG 1/8" - 27 NPT	1
15	18-1-110-2336	NAMEPLATE FOR TYPE 782	1
16	21-1-950-0051	S/A CUP FOR VSI	1
17	21-1-110-0317	SEAL FOR A6 COVER	1
18	34-1-110-0888	INSTRUCTION FOR 781-782 WITH OPSO (IT)	1
19	23-1-210-0672	STANDARD SINGLE BOX	1
20	34-1-210-2293	SINGLE BOX LABEL FOR TYPE 782	1
21	23-1-510-0051	STANDARD BOX (R76)	1

	DENOMINATION					
	IST AND 2ND STAGE REG. WITH OPSO - UNI 7131/2014 PROPANE 37 mbar 10 kg/h WITH SAFETY					
RECA	MODEL	ORIFICE	INLET	OUTLET	SHARED	PROD. INT GROUP
	782	4.3	W20X1/14" L.H.	Rp 1/2 ISO7	N.A.	-
PERFORMANCE DOC.	COUNTRY	COUNTRY SPECIFIC	WEIGHT	SCALE	MODIFY FILE	PRODUCT NO
N.A.	ITALY	UNI 7131 / EN16129	N.A.	1:1	DM05307	78-1-290-0016
PROD. EVOLUTION	PROJECT NO	RELEASE LEVEL	DRAWN BY	VERIFIED BY	APPROVED BY	DATE
DEFINITIVE	N.A.	APPROVED+	RUSSO R.	TOMASELLI L.	SCHLICKE B.	31/08/15