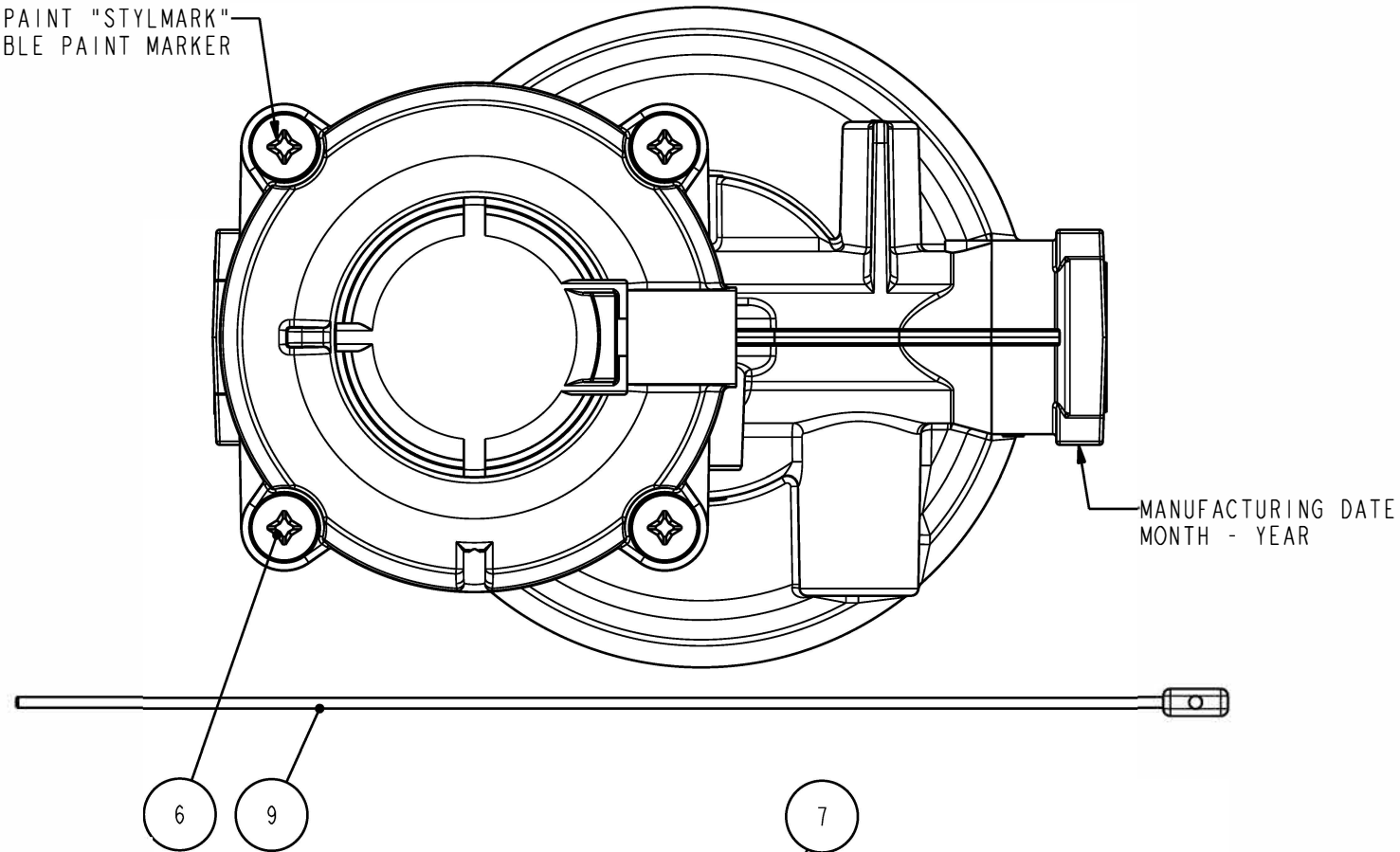
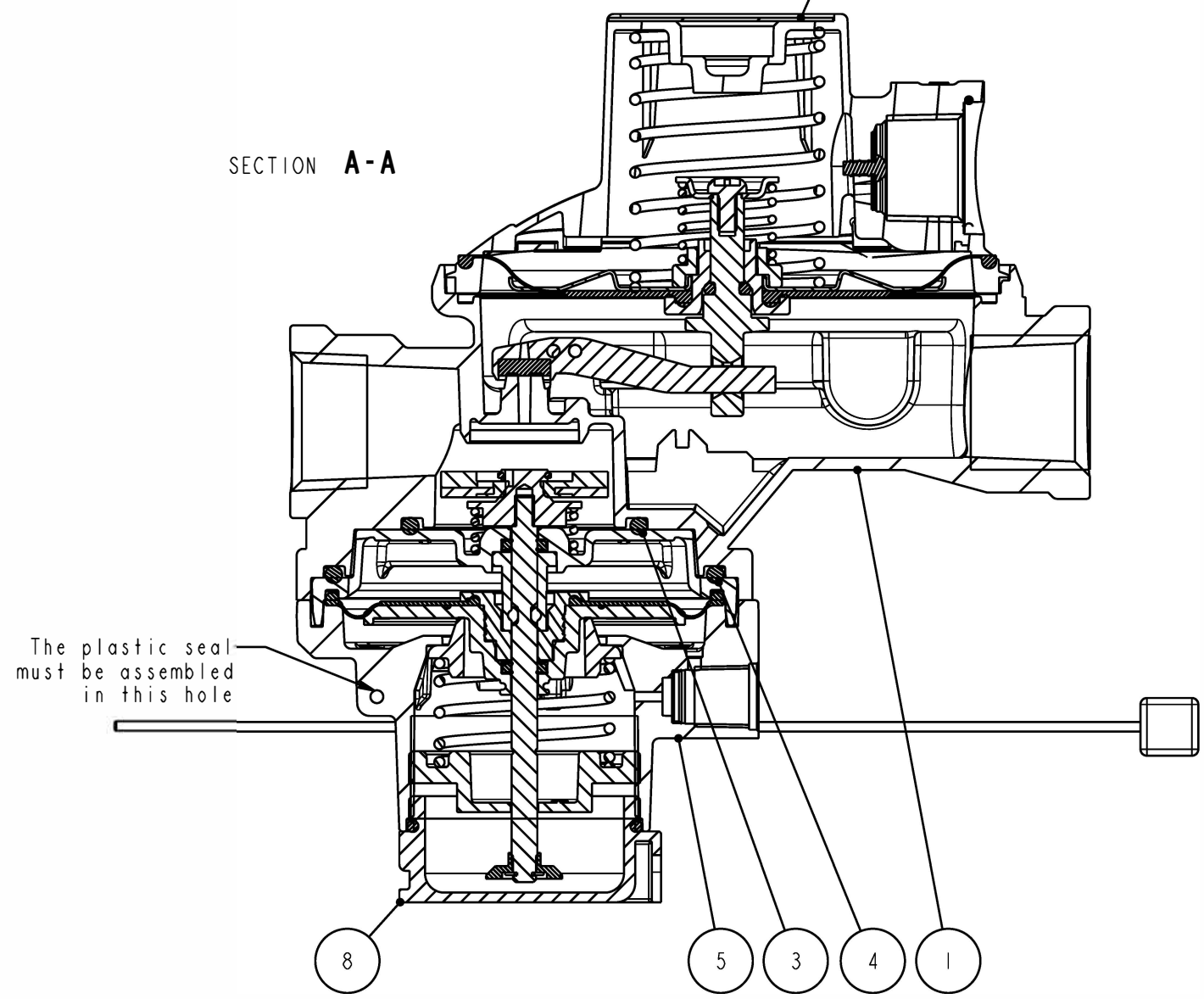


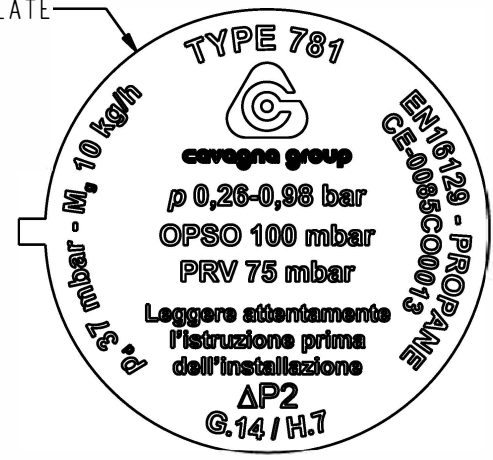
POINT OF PAINT "STYLMARK"
INDELIBLE PAINT MARKER



SECTION A-A

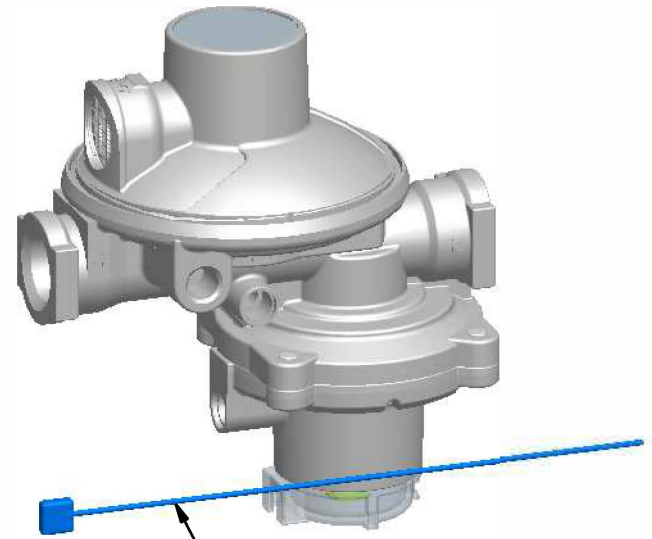


NAMEPLATE



SINGLE BOX LABEL

**SECOND STAGE
REGULATOR WITH OPSO
TYPE 781 - PROPANE
37 mbar - 10 kg/h
INLET: Rp 1/2" female
OUTLET: Rp 1/2" female
Leggere attentamente l'istruzione
prima dell'installazione**



CLOSE THE SEAL
BEFORE PACK REGULATOR

NO	NO PRODUCT	DENOMINATION	Q.TY
1	78-1-950-0028	S/A SECOND STAGE REGULATOR WITH OPSO	1
2	24-1-110-0001	WHITE ALUMINIUM RAL 9006	1
3	04-1-110-0123	O-RING Ø32.99 X 2.62	1
4	04-1-110-0113	O-RING Ø56.82 X 2.62	1
5	40-1-950-0028	S/A SHUT-OFF VALVE (80-100 mbar)	1
6	14-1-110-0079	SCREWS M5 - L=14mm	4
7	18-1-110-1943	NAMEPLATE FOR TYPE 781	1
8	21-1-950-0051	S/A CUP FOR VSI	1
9	21-1-110-0317	SEAL FOR A6 COVER	1
10	34-1-110-0888	INSTRUCTION FOR 781-782 WITH OPSO (IT)	1
11	23-1-210-0600	SINGLE-BOX FOR NEW TWIN REGULATOR WITH OPSO & UPSO	1
12	34-1-210-2292	SINGLE BOX LABEL FOR TYPE 781	1
13	23-1-510-0050	STANDARD BOX (R75)	1

	DENOMINATION 2ND STAGE REGULATOR WITH OPSO - UNI 7131/2014 PROPANE 37 mbar 10 kg/h WITH SAFETY						
	MODEL 781	ORIFICE 4.3	INLET Rp 1/2 ISO7		OUTLET Rp 1/2 ISO7	SHARED N.A.	PROD. INT GROUP -
PERFORMANCE DOC. N.A.	COUNTRY ITALY	COUNTRY SPECIFIC UNI 7131 / EN16129	WEIGHT N.A.	SCALE 1:1	MODIFY FILE DM05307	PRODUCT NO 78-1-190-0009	
PROD. EVOLUTION DEFINITIVE	PROJECT NO N.A.	RELEASE LEVEL APPROVED+	DRAWN BY RUSSO R.	VERIFIED BY TOMASELLI L.	APPROVED BY SCHLICHB. B.	DATE 31/08/15	REV 6