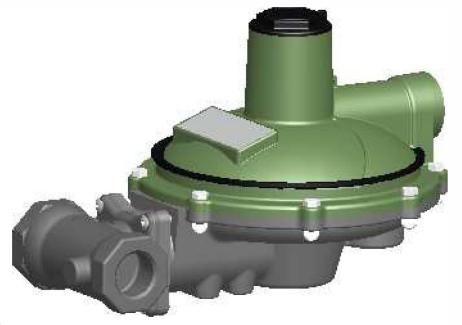


SINGLE BOX LABEL

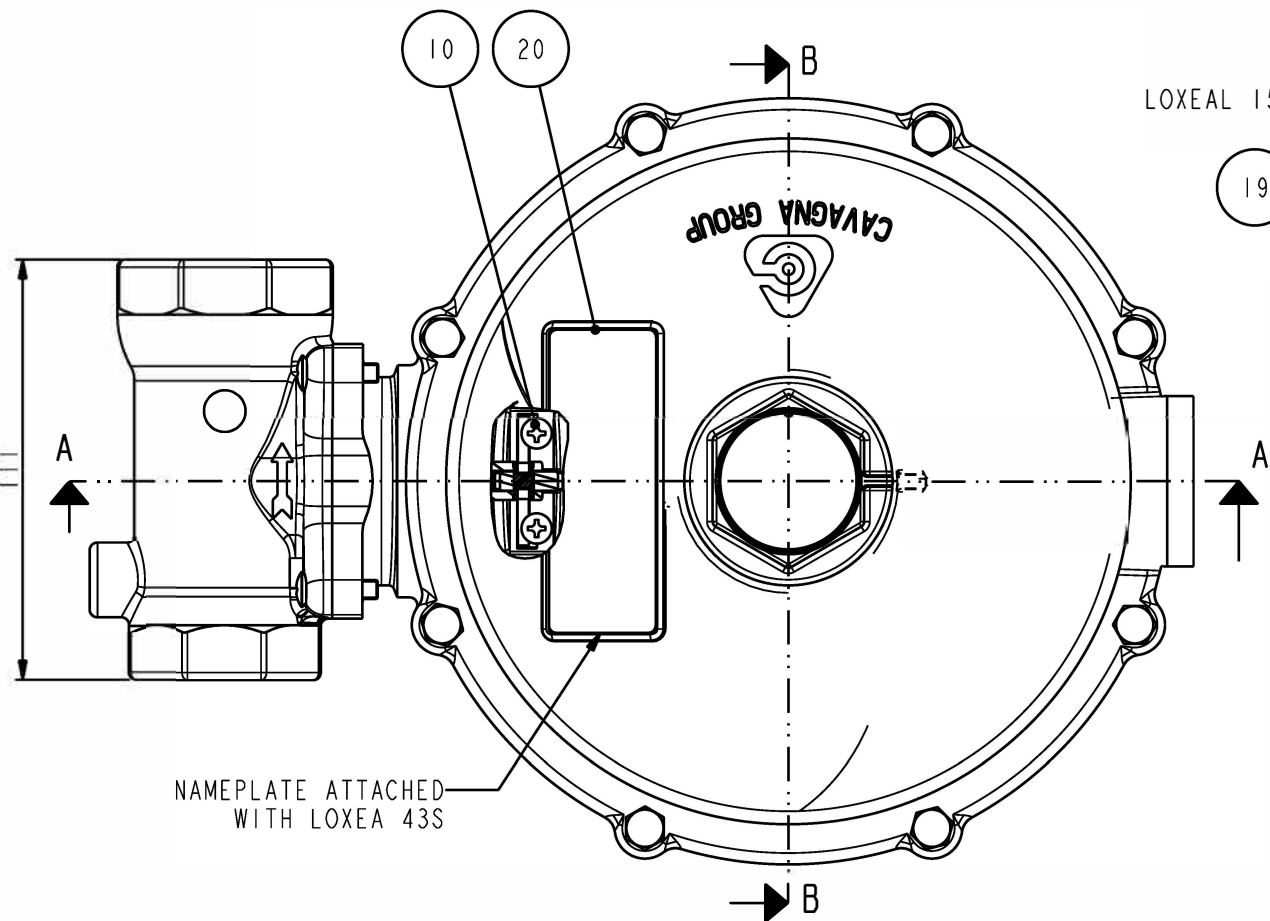
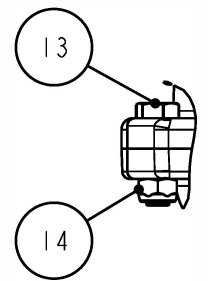
RECA	
L.P. REGULATOR	
TYPE 468-3 PROPANE	
25-45 mbar 60 Kg/h	
INLET: Rp 1 ISO7	
OUTLET: Rp 1-1/4 ISO7	
Date gg/mm/aa	Quantity 1

NAMEPLATE

TYPE	468-3	PRV	90-150	mbar	
Pi	25-45	mbar	Pn	0.45-1.95	bar
FLOW	60	kg/h	DATE	XX-XX	
GAS	PROPANE		NORM	EN 16129	
IN/OUT	G.14/H.7		cavagna group MADE IN ITALY		



MONTH - YEAR



NO	NO PRODUCT	DENOMINATION	Q.TY
1	00-1-950-0135	S/A PAINTED BODY GREY RAL 7037	1
2	03-1-950-0102	S/A PIN FOR LP REGULATOR	1
3	04-1-110-0583	O RING Ø44.45 x 3.53	1
4	00-1-950-0140	S/A PAINTED MANIFOLD GREY RAL 7037	1
5	16-1-150-0033	ORIFICE Ø8 - 3/4"-16 UNF TYPE 46 (MACHINED)	1
6	04-4-110-0030	O RING Ø15.6 X 2.4 THK (I200P)	1
7	14-1-110-0069	SCREWS M5 - L=20mm	4
8	05-1-110-0042	LEVER PIN LPGAS EQUIPMENT USA	1
9	02-1-110-0065	LEVER FOR LP REGULATOR	1
10	14-1-110-0003	SCREW-SELF-TAPPING-POZI-M4 X 10	2
11	09-1-950-0193	S/A DIAPHRAGM WITH LIMITED RELIEF VALVE (90 mbar)	1
12	01-1-950-0109	S/A COVER FOR REGULATOR TYPE 46	1
13	14-1-110-0072	SCREW M6 - L=23mm	8
14	10-1-110-1027	NUT HEXAGONAL M6 AUTOBLOCKING	8
15	08-1-110-0072	SPRING ADJUSTER M45x2	1
16	07-1-110-0444	SETTING SPRING 37 mbar TYPE 46	1
17	19-1-110-0028	COVER PLUG - M45 x 2 ADJUSTABLE	1
18	04-1-110-0092	O-RING Ø40.84 X 2.62	1
19	19-1-110-0504	TAPPO 1/4 NPT	1
20	18-1-021-0002	NAMEPLATE FOR TYPE 46	1
21	34-1-110-0805	INSTRUCTION FOR TYPE 468	1
22	23-1-210-0653	SINGLE BOX FOR TYPE 46	1
23	34-1-210-2189	SINGLE BOX LABEL FOR TYPE 468-3	1

	DENOMINATION		L.P. REGULATOR SERIES 46 (25-45 mbar)		PROPANE 37 mbar 60 kg/h	
	WITH SAFETY					
RECA	MODEL 468	ORIFICE 8	INLET Rp 1 ISO7	OUTLET Rp 1-1/4 ISO7	SHARED N.A.	PROD. INT GROUP -
PERFORMANCE DOC. N.A.	COUNTRY ITALIA	COUNTRY SPECIFIC EN 16129	WEIGHT N.A.	SCALE 1:2	MODIFY FILE DM05212	PRODUCT NO 46-1-890-0006
PROD. EVOLUTION DEFINITIVE	PROJECT NO DS04788	RELEASE LEVEL APPROVED+	DRAWN BY RUSSO R.	VERIFIED BY TOMASELLI L.	APPROVED BY SCHLICK B.	DATE 03/03/15
						REV 7