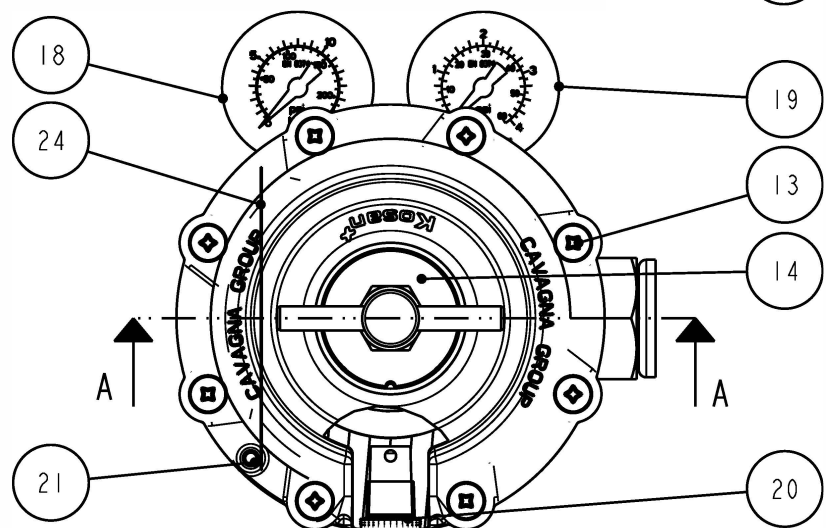
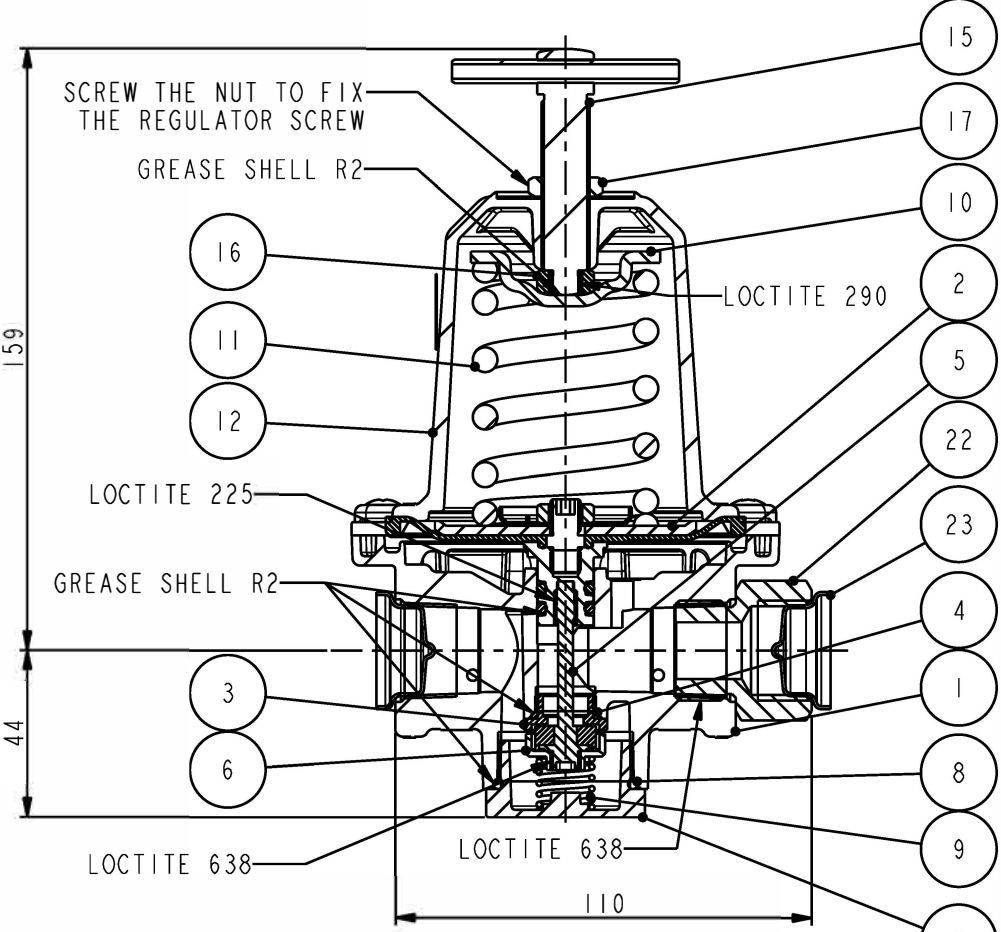


SECTION A-A



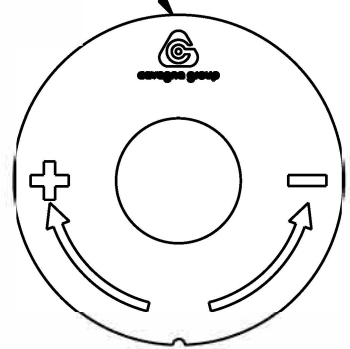
942HP - 09
First stage HP regulator
PROPANE
0.5-3 bar 100 kg/h
INLET: Rp 3/4" FEMALE
OUTLET: Rp 3/4" FEMALE

LABEL FOR SINGLE BOX

942HP-09
First stage HP regulator
0.5-3 bar 100 kg/h
INLET: Rp 3/4" FEMALE
OUTLET: Rp 3/4" FEMALE
Date: pcs per carton: 12

LABEL FOR EXPEDITION BOX

NAMEPLATE



MADE IN ITALY
Cavagna Group
LPG PRODUCTS
942HP-09

PROPANE
G.14/H.7
P_m = P_d + 0.5 ± 16 bar P_d = 0.5 ± 3 bar
FLOW 100 kg/h EN 16129

NO	NO PRODUCT	DENOMINATION	Q.TY
1	00-1-950-0156	S/A PAINTED BODY RED RAL 3020 - Rp 3/4 x Rp 3/4	1
2	09-1-950-0153	S/A DIAPHRAGM FOR HP REGULATOR	1
3	16-1-150-0032	ORIFICE FOR HP REGULATOR - Ø9.5 MACHINED	1
4	04-1-110-0089	O-RING Ø14.5 X 1.78	1
5	06-1-950-0053	ADHERIZED SEAT DISK FOR HP REGULATOR	1
6	03-1-110-0219	LIMITER STROKE COMPONENT	1
7	19-1-110-0026	CUP M36x1.5 FOR HP REGULATOR	1
8	04-1-110-0108	O-RING Ø32.99 X 2.62	1
9	07-1-110-0433	SPRING FOR ORIFICE CLOSE	1
10	08-1-110-0069	SPRING RETAINER FOR HP REGULATOR	1
11	07-1-110-0617	SPRING FOR ADJUSTABLE REGULATOR 0.5-3 bar	1
12	01-1-950-0140	S/A PAINTED COVER RED RAL 3020	1
13	14-1-110-0049	SCREWS M5 - L=16mm	8
14	18-1-110-2466	NAME PLATE FOR REGULATOR TYPE 942	1
15	13-1-950-0086	S/A ADJUSTING SCREW FOR VARIABLE REGULATOR	1
16	10-1-110-1013	NUT M8X1	1
17	10-1-110-1021	NUT 1/2" - 20UNF	1
18	50-1-110-0006	MANOMETRO 0-16 bar	1
19	50-1-110-0007	MANOMETRO 0-4 bar	1
20	17-1-110-0085	FILTER FOR FLANGE Ø16	1
21	32-2-110-0001	RIBATTINO JUMBO (ASS)	1
22	16-1-110-0982	FITTING G3/4 MALE - Rp3/4 FEMALE	1
23	19-1-110-2086	THREAD PROTECTOR FOR 3/4"NPT	2
24	34-1-310-0164	LABEL FOR ADJUSTABLE REGULATOR TYPE 942HP-09	1
25	34-1-110-0882	INSTRUCTION FOR REGULATOR HP TYPE 81 AND 94 (IT)	1
26	23-1-210-0522	SINGLE-BOX FOR KOSAN+ REGULATOR	1
27	34-1-210-2165	LABEL FOR SINGLE BOX TYPE 942HP-09	1
28	23-1-510-0051	STANDARD BOX (R76)	1
29	34-1-210-2166	LABEL FOR EXPEDITION BOX TYPE 942HP-09	1

	DENOMINATION		HP ADJUSTABLE REGULATOR (0.5-3 bar)				PROPANE 0.5-3 bar 100 Kg/h							
	RECA		MODEL 942		ORIFICE 9.5		INLET Rp 3/4 ISO7		OUTLET Rp 3/4 ISO7		SHARED N.A.		PROD. INT GROUP -	
PERFORMANCE DOC.	94-008	COUNTRY ITALY	COUNTRY SPECIFIC EN 16129	WEIGHT 2.003	SCALE 1:2	MODIFY FILE DM05068	PRODUCT NO		REV		94-1-290-0009		2	
PROD. EVOLUTION	DEFINITIVE	PROJECT NO DS04790	RELEASE LEVEL APPROVED+	DRAWN BY PENNACCHIO D.	VERIFIED BY TOMASELLI L.	APPROVED BY SCHLICK B.	DATE 04/08/14							

