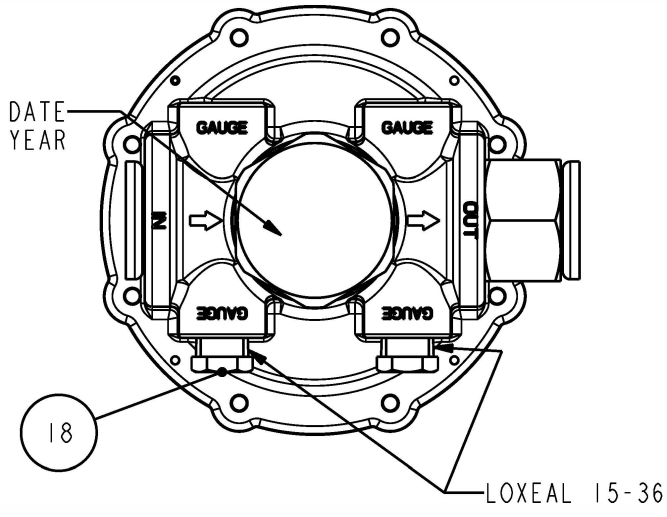
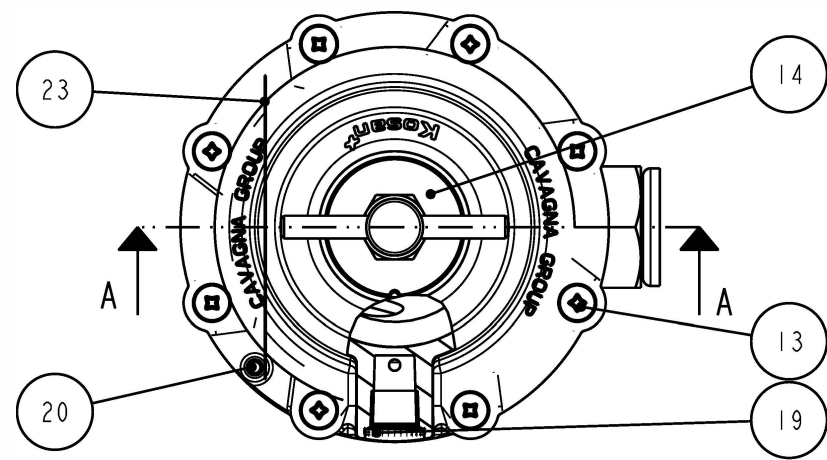
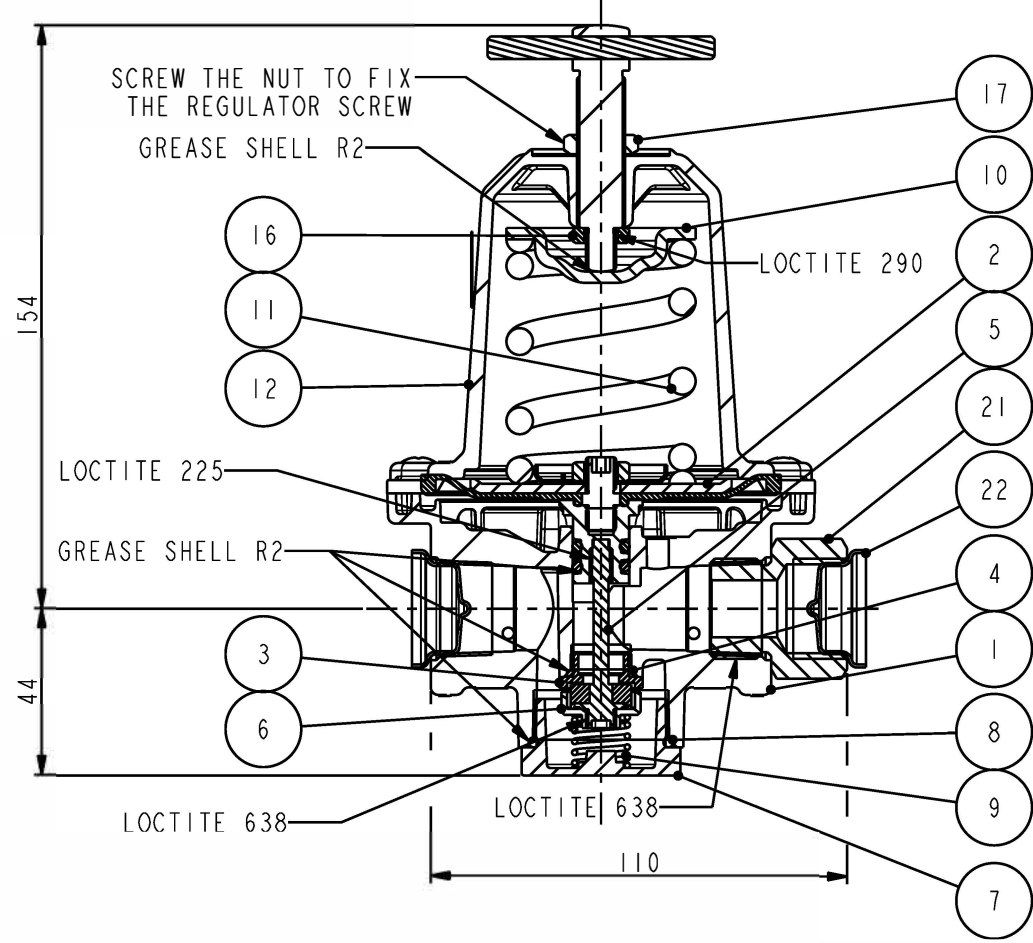


MANUFACTURING DATE
MONTH - YEAR



LOXEAL 15-36

SECTION A-A



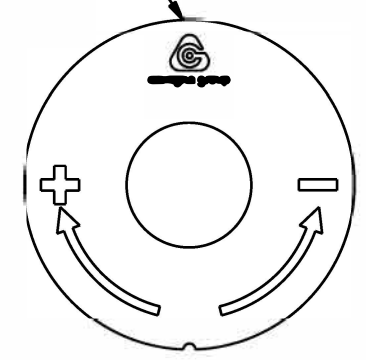
942HP - 15
First stage HP regulator
PROPANE
0.5-3 bar 100 kg/h
INLET: Rp 3/4" FEMALE
OUTLET: Rp 3/4" FEMALE

LABEL FOR SINGLE BOX

942HP-15
First stage HP regulator
0.5-3 bar 100 kg/h
INLET: Rp 3/4" FEMALE
OUTLET: Rp 3/4" FEMALE
Date: _____ pcs per carton: 12

LABEL FOR EXPEDITION BOX

NAMEPLATE



LABEL FOR REGULATOR

 MADE IN ITALY CAVAGNA GROUP LPG PRODUCTS 942HP-15	PROPANE	G.14/H.7
	$P_m = P_r + 0.5 \pm 16$ bar	$P_d = 0.5 \pm 3$ bar
	FLOW 100 kg/h	EN 16129

NO	NO PRODUCT	DENOMINATION	Q.TY
1	00-1-950-0156	S/A PAINTED BODY RED RAL 3020 - Rp 3/4 x Rp 3/4	1
2	09-1-950-0153	S/A DIAPHRAGM FOR HP REGULATOR	1
3	16-1-150-0032	ORIFICE FOR HP REGULATOR - Ø9.5 MACHINED	1
4	04-1-110-0089	O-RING Ø14.5 X 1.78	1
5	06-1-950-0053	ADHERIZED SEAT DISK FOR HP REGULATOR	1
6	03-1-110-0219	LIMITER STROKE COMPONENT	1
7	19-1-110-0026	CUP M36x1.5 FOR HP REGULATOR	1
8	04-1-110-0108	O-RING Ø32.99 X 2.62	1
9	07-1-110-0433	SPRING FOR ORIFICE CLOSE	1
10	08-1-110-0069	SPRING RETAINER FOR HP REGULATOR	1
11	07-1-110-0617	SPRING FOR ADJUSTABLE REGULATOR 0.5-3 bar	1
12	01-1-950-0140	S/A PAINTED COVER RED RAL 3020	1
13	14-1-110-0049	SCREWS M5 - L=16mm	8
14	18-1-110-2466	NAME PLATE FOR REGULATOR TYPE 942	1
15	13-1-950-0095	S/A ADJUSTING SCREW FOR VARIABLE REGULATOR	1
16	10-1-110-1013	NUT M8X1	1
17	10-1-110-1021	NUT 1/2" - 20UNF	1
18	19-1-110-0504	TAPPO 1/4 NPT	2
19	17-1-110-0085	FILTER FOR FLANGE Ø16	1
20	32-2-110-0001	RIBATTINO JUMBO (ASS)	1
21	16-1-110-0982	FITTING G3/4 MALE - Rp3/4 FEMALE	1
22	19-1-110-2086	THREAD PROTECTOR FOR 3/4"NPT	2
23	34-1-310-0193	LABEL FOR ADJUSTABLE REGULATOR TYPE 942HP-15	1
24	34-1-110-0882	INSTRUCTION FOR REGULATOR HP TYPE 81 AND 94 (IT)	1
25	23-1-210-0522	SINGLE-BOX FOR KOSAN+ REGULATOR	1
26	34-1-210-2307	LABEL FOR SINGLE BOX TYPE 942HP-15	1
27	23-1-510-0051	STANDARD BOX (R76)	1
28	34-1-210-2308	LABEL FOR EXPEDITION BOX TYPE 942HP-15	1

 cavagna group	DENOMINATION		HP ADJUSTABLE REGULATOR (0.5-3 bar)				PROPANE 0.5-3 bar 100 Kg/h								
	RECA		MODEL 942		ORIFICE 9.5		INLET Rp 3/4 ISO7		OUTLET Rp 3/4 ISO7		SHARED N.A.		PROD. INT GROUP -		
PERFORMANCE DOC. 94-008		COUNTRY ITALY		COUNTRY SPECIFIC EN 16129		WEIGHT 1.517		SCALE 1:2		MODIFY FILE DM05422		PRODUCT NO 94-1-290-0015		REV 2	
PROD. EVOLUTION DEFINITIVE		PROJECT NO DS05006		RELEASE LEVEL APPROVED+		DRAWN BY PENNACCHIO D.		VERIFIED BY TOMASELLI L.		APPROVED BY SCHLICK B.		DATE 17/02/16			