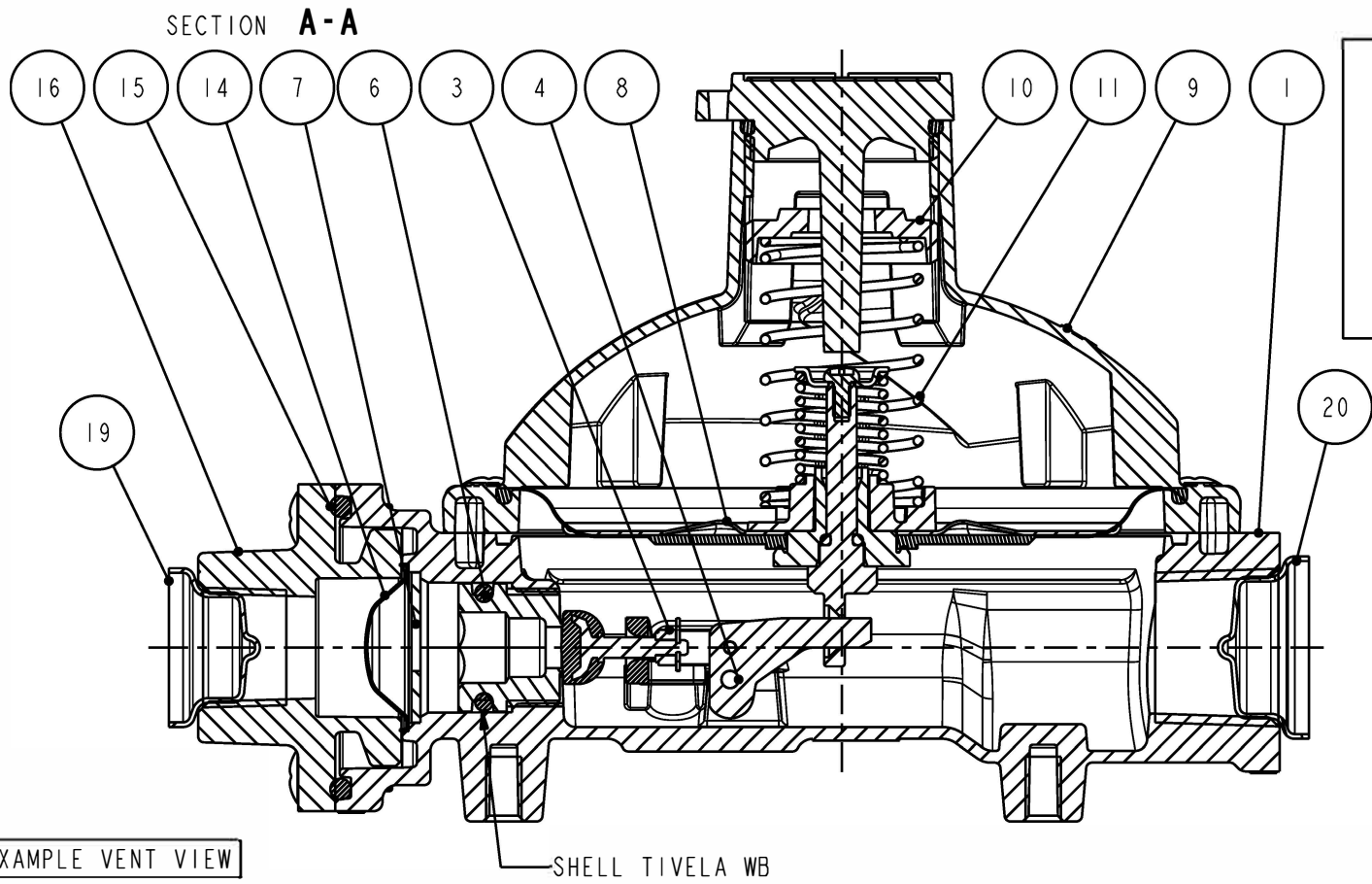


This drawing may not be copied or distributed in any way without the written permission of Cavagna Group Div. RE.CA. Via Matteotti, 5 - Calvisano - BS - Italy



SINGLE BOX LABEL

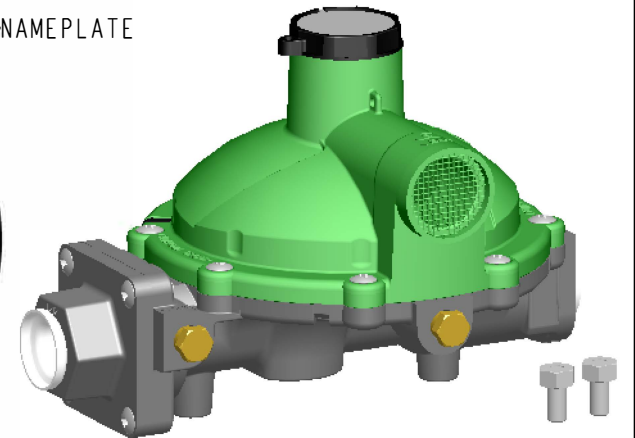
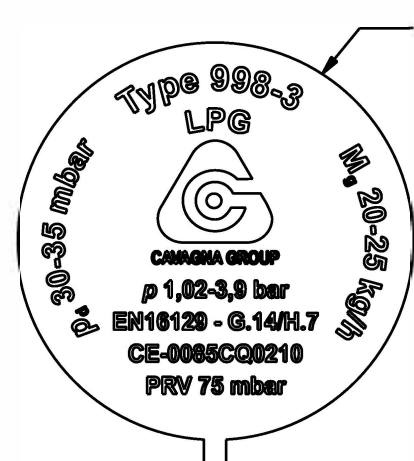
998-3

Second stage regulator
L.P.G.

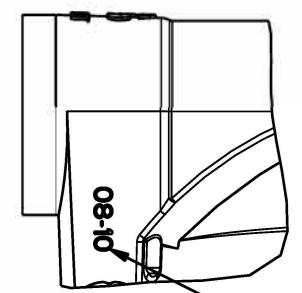
30 - 35 mbar 20-25 kg/h

INLET: Rp 1/2" FEMALE

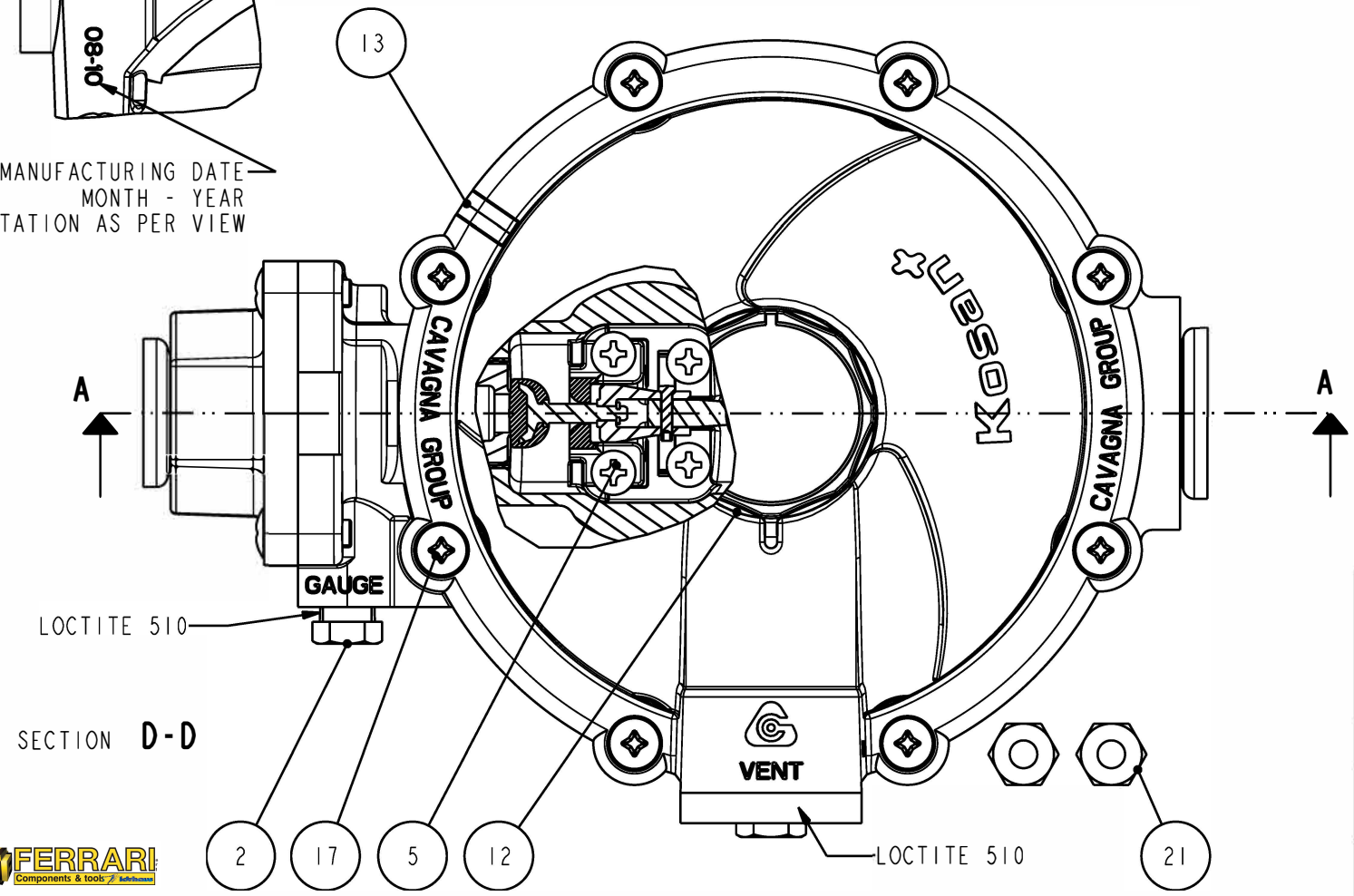
OUTLET: Rp 3/4" FEMALE



EXAMPLE VENT VIEW



MANUFACTURING DATE
MONTH - YEAR
ORIENTATION AS PER VIEW



NO	NO PRODUCT	DENOMINATION	Q. TY
1	00-1-950-0128	S/A PAINTED BODY GREY RAL 7037	1
2	19-1-110-0502	PLUG 1/8" - 27 NPT	2
3	02-1-950-0035	LEVER ARM LP	1
4	05-1-110-0043	LEVER PIN LPGAS EQUIPMENT USA	1
5	14-1-110-0003	SCREW-SELF-TAPPING-POZI-M4 X 10	4
6	03-1-950-0081	S/I ORIFICE - M20 - Ø7	1
7	15-1-110-0106	WASHER	1
8	09-1-950-0175	DIAPHRAGM ASSEMBLY- (REG TYPE 99 WITH SMALL RELIEF VALVE)	1
9	01-1-950-0044	S/A COVER FOR REGULATOR TYPE 99	1
10	08-1-110-0060	SPRING ADJUSTER M33x2	1
11	07-1-110-0466	SETTING SPRING 30-35 mbar	1
12	19-1-950-0072	S/A PLUG FOR LPG REGULATOR	1
13	21-1-110-0193	LOCK CLIP	1
14	17-1-110-0066	Ø28.5 FILTER 50 MESH STABILIZED	1
15	04-1-110-0583	O RING Ø44.45 x 3.53	1
16	20-1-950-0113	S/A PAINTED FLANGE RPI/2" (GREY RAL 7037)	1
17	14-1-110-0049	SCREWS M5 - L=16mm	12
18	18-1-110-2586	NAMEPLATE FOR REGULATOR TYPE 998	1
19	19-1-110-2083	THREAD PROTECTOR FOR 1/2" NPT	1
20	19-1-110-2086	THREAD PROTECTOR FOR 3/4" NPT	1
21	14-1-950-0008	S/A SCREW IN BAG	1
22	34-1-110-1237	INSTRUCTION FOR TYPE 994-3 / 998-3	1
23	23-1-210-0403	SINGLE-BOX FOR RESIDENTIAL REGULATOR	1
24	34-1-210-1874	LABEL FOR ADJUSTABLE LP REGULATOR 998	1
25	23-1-510-0051	STANDARD BOX (R76)	1

	DENOMINATION					LPG 30-35 mbar 20-25 kg/h	
	SECOND STAGE REGULATOR TYPE 998 WITH SAFETY						
RECA	MODEL 998	ORIFICE 7	INLET Rp 1/2 ISO7	OUTLET Rp 3/4" FEMALE	SHARED N.A.	PROD. INT GROUP -	
PERFORMANCE DOC. N.A.	COUNTRY N.A.	COUNTRY SPECIFIC EN16129	WEIGHT 1.025	SCALE 4:5	MODIFY FILE DM05392	PRODUCT NO 99-1-890-0024	
PROD. EVOLUTION DEFINITIVE	PROJECT NO A104	RELEASE LEVEL APPROVED+	DRAWN BY PEDRINI M.	VERIFIED BY TOMASELLI L.	APPROVED BY SCHLICK B.	DATE 11/12/15	
						2	